

Dane aktualne na dzień: 19-04-2026 07:31

Link do produktu: <https://www.startermotor.pl/rozzrusznik-atlas-art14-atlas-1404-1600-175-lc-215-lc-140-w-aw-100-aw1120-aw1130-aw1140-200-mh-350-mh-520-mh-p-559.html>



## ROZRUSZNIK ATLAS ART.A14 ( ATLAS 1404, 1600, 175 LC, 215 LC, 140 W, AW 100 , AW1120, AW1130, AW1140, 200 MH, 350 MH, 520 MH )

Cena brutto	<b>640,00 zł</b>
-------------	------------------

Cena netto	<b>520,33 zł</b>
------------	------------------

Dostępność	<b>Dostępny</b>
------------	-----------------

Numer katalogowy	<b>RIS1255</b>
------------------	----------------

### Opis produktu

ROZRUSZNIK

24V, 4.0 kW



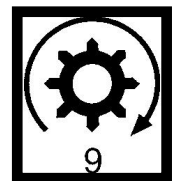
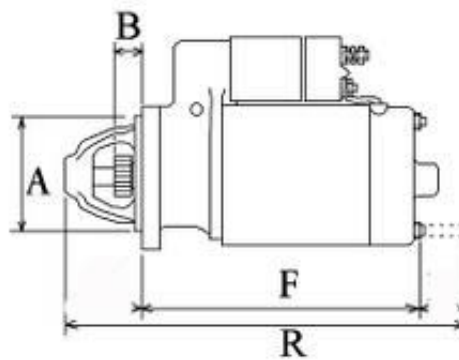
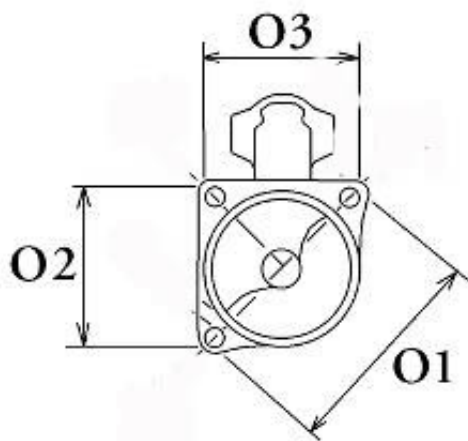
---	---	---
---	---	---
---	---	---
---	---	---
---	---	---
---	---	---
---	---	---

---	---	---
---	---	---
---	---	---

**BOSCH:** 0001231005; 0001263008;

**ISKRA:** 11.132.139; AZF4311; 11.131.770; AZF4198; 11.131.755; AZF4195;  
11.131.621; AZF4161; 11.131.514; AZF4133;

**KHD / DEUTZ:** 0118 0999; 0118 2235; 0118 2931; 0118 3122; 0118 3239; 0118 3681; 0118 3716



---	---
---	---
---	---
---	---
---	---
---	---
---	---
---	---
---	---
---	---
---	---

---

| |